



BOTTLE COOLER Controllers

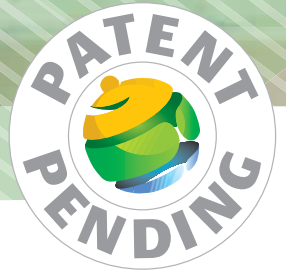
XRB



reduced
CO₂
emissions



XRB SERIES



Controllers for BOTTLE COOLER Applications

The XRB series is an innovative range of products designed for every kind of bottle cooler applications:

- **STATIC COOLERS**
- **VENTILATED COOLERS**
- **OPEN or NIGHT CURTAIN COOLERS**

The family has an attractive design and new innovative functions especially dedicated to energy saving.



- High energy saving compared to electromechanical controllers
- Better performances compared to standard electronic controllers
- Energy consumption reduction thanks to compressor and defrost management optimization
- Predictive algorithm for energy saving activation, without using external sensors
- Easy and intuitive installation
- Automatic set point management after fridge refill
- Compressor working time control
- Counters of compressor/defrost/fans/light activation number
- Condenser monitor for maintenance management
- Anti-sweat heaters management (only for XRB07CX)
- Firmware update via special Prog Key
- Hot Key or Prog Tool Kit connector for a quick and easy programming
- Serial connection to monitoring systems



Display with icons for a complete information about the machine status



Display available also in blue or green; please contact Dixell for further information

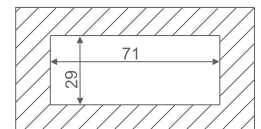
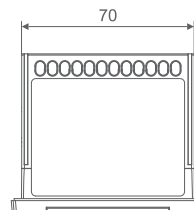
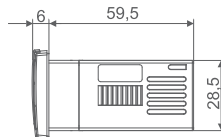
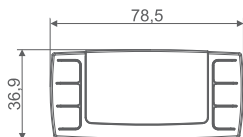
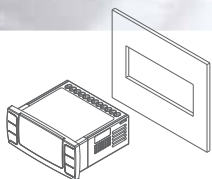


Anti-condensing protection cover for terminal block



IP65 front protection

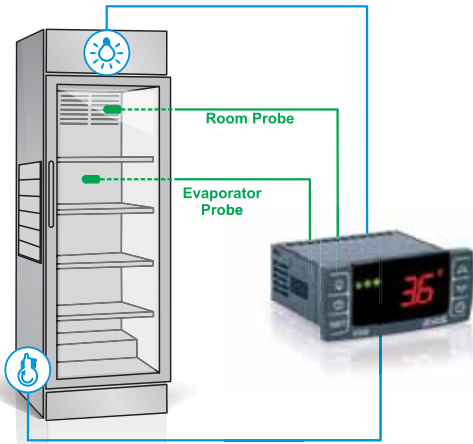
DIMENSIONS & CUT-OUT



APPLICATIONS

Depending on the kind of application, Dixell has designed 3 different controllers that ensure the highest standards of performance of the cooler.

DOOR CABINET - STATIC COOLERS

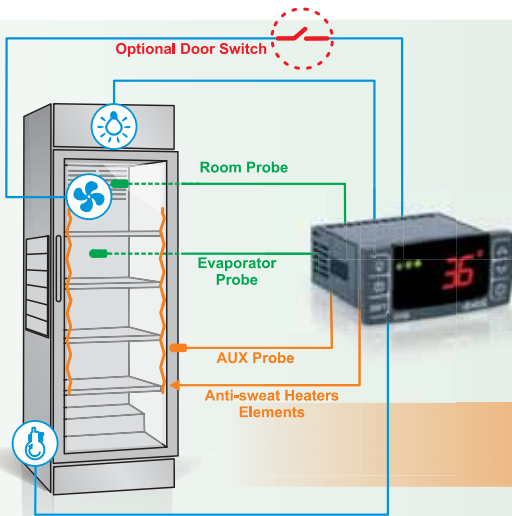


XR B04CX

- Room probe
- Evaporator probe (optional)
- Compressor management
- Light management
- Timed defrost by compressor stop



DOOR CABINET - VENTILATED COOLERS



XR B06CX

XR B07CX

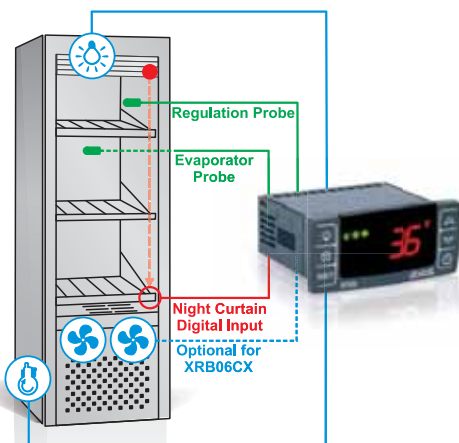
- Room probe
- Evaporator probe
- AUX probe (optional)
- Compressor management
- Fan management
- Light management
- Timed defrost by compressor stop
- Electric or hot gas defrost (if available)
- Anti-sweat heater management



Designed also for "STREET COOLER" applications thanks to the heating function



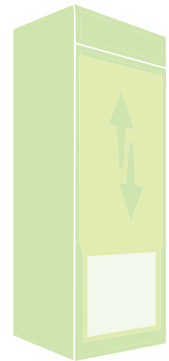
OPEN CABINET - WITH or WITHOUT NIGHT CURTAIN COOLERS



XR B04CX

XR B06CX

- Room probe
- Evaporator probe (optional) for heating elements, condenser temperature, etc ...
- Compressor management
- Light management
- Digital input for night curtain management
- Timed defrost by compressor stop



SPECIAL FUNCTIONS



ENERGY SAVING

Thanks to an advanced algorithm, the XRB series can automatically select the best temperature set by analyzing the temperature variation trends over a predefined interval of time. No external sensor is required for this operation.



SELF REGULATION CAPABILITY

The XRB family is able to choose the best suited set point and to decide the beginning and the duration of any defrosts based on the real using conditions and without external sensors.



SMART DEFROST

All standard defrost methods can be used in the XRB family. Moreover, defrost can also be managed automatically and its time duration depends on the effective presence of ice on the evaporator surface.



EXTRA COOLING for FILLING

Designed for cabinet refill events, this function uses automatic temperature management, which moves the set point to a lower value for a predefined period of time; in this way, the beverages can quickly reach the temperature required to be sold.



ANTI-SWEAT HEATERS MANAGEMENT

It is possible to manage heating elements by using an auxiliary relay output; this can be managed via an interval of time (fixed activation and deactivation) or by using the auxiliary temperature regulator.



SERVICE & PRODUCTION

The XRB controllers include several functions designed to help the manufacture and the service personnel:

- compressor run hour counter;
- easy visualization of the number of activations for all relay outputs;
- quick and easy firmware updating;
- customization of the programming parameters, directly in production, by using WIZMATE PROG-TOOL KIT.



USEFUL FOR...



...FOR OEM

- ◆ **High flexibility thanks to the different energy saving modes**
The XRB can adapt quickly and easily to any possible situation; the energy saving configuration, which fits the application, can be selected in only a few steps.
- ◆ **Reduced CO₂ emission**
Thanks to the advanced algorithm, the XRB reduces power consumption and consequently carbon emissions.
- ◆ **High reliability**
Loads (compressor, defrost, etc...) are activated only if necessary; this increases the equipment life and decreases the maintenance operations.
- ◆ **Simplified commissioning operations**
The service menu allows the user to quickly set up the system directly when out in the field and without using any additional tools.



...FOR END USER

- ◆ **Few parameters to manage**
There is a really reduced set of parameters which need to be managed from the final user.
- ◆ **While replacing existing controllers, new functions can be introduced**
It is possible to introduce advanced energy saving concepts in existing cabinets with or without a door switch sensor.
- ◆ **Less programming time**
Thanks to the self regulation capability, the XRB controllers adapt themselves to the temperature conditions and the kind of use.

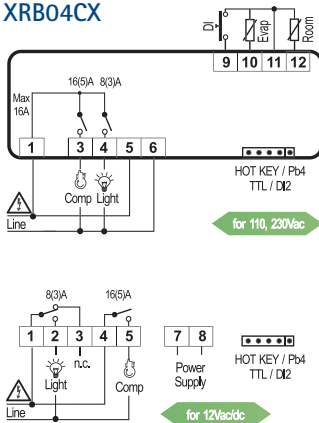


FEATURES

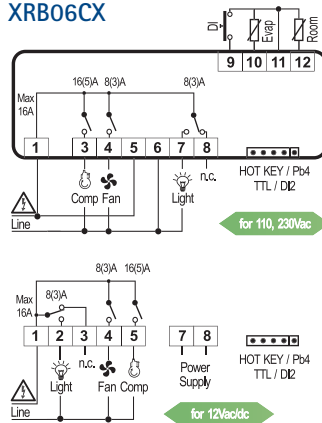
	STATIC APPLICATIONS		VENTILATED APPLICATIONS	
	XRBO4CX	XRBO6CX	XRBO6CX	XRBO7CX
Display: n° digits	± 3 d.p.	± 3 d.p.	± 3 d.p.	± 3 d.p.
Power supply	12Vac/dc - 110, 230Vac	12Vac/dc - 110, 230Vac	110, 230Vac	110, 230Vac
Probe inputs				
Thermostat	NTC	NTC	NTC	NTC
Defrost	NTC	NTC	NTC	NTC
Condenser	NTC	NTC	NTC	NTC
Condenser/AUX				NTC on HOT KEY
Digital inputs				
Start defrost, light, AUX, door switch, energy saving, probe	config	config	config	config
Alarm, start defrost, light, AUX, door switch, energy saving, fans, ON/OFF	config	config	config	config
Relay outputs				
Compressor	16A	16A	16A	16A
Fans		8A	8A	8A
Light	8A	8A	8A	8A
AUX				5A
Other				
Hot Key/Prog Tool Kit output	pres	pres	pres	pres
Serial output	TTL	TTL	TTL	TTL
Buzzer	opt	opt	opt	opt

WIRINGS

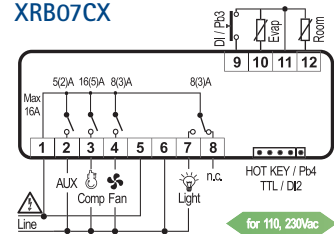
XRBO4CX



XRBO6CX



XRBO7CX



ACCESSORIES



MDP/CX
Plastic protection against dripping on terminal blocks



HOT KEY
Key for a quick and easy parameter update



PROG KEY
Key for a quick and easy firmware update



**WIZMATE
PROG-TOOL KIT**
Programming tool for a quick and easy parameter update/loading in production

